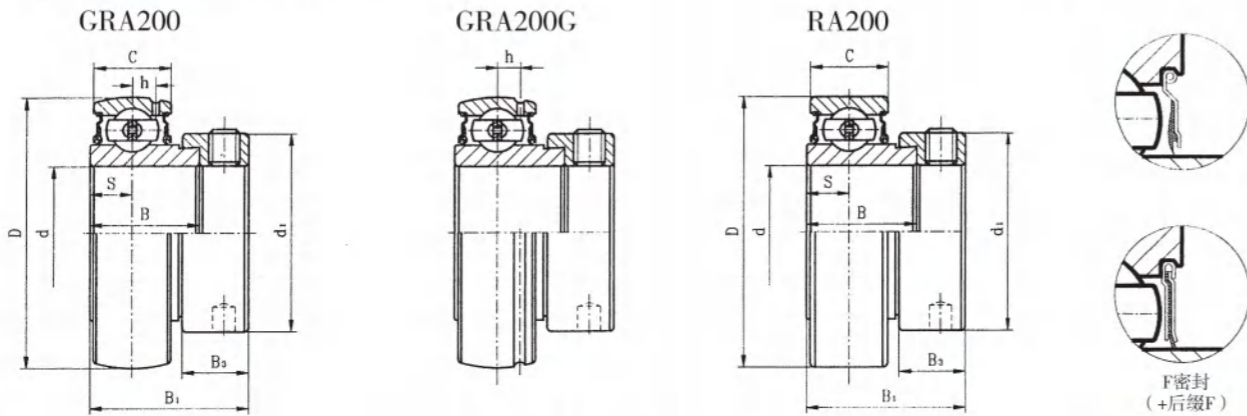
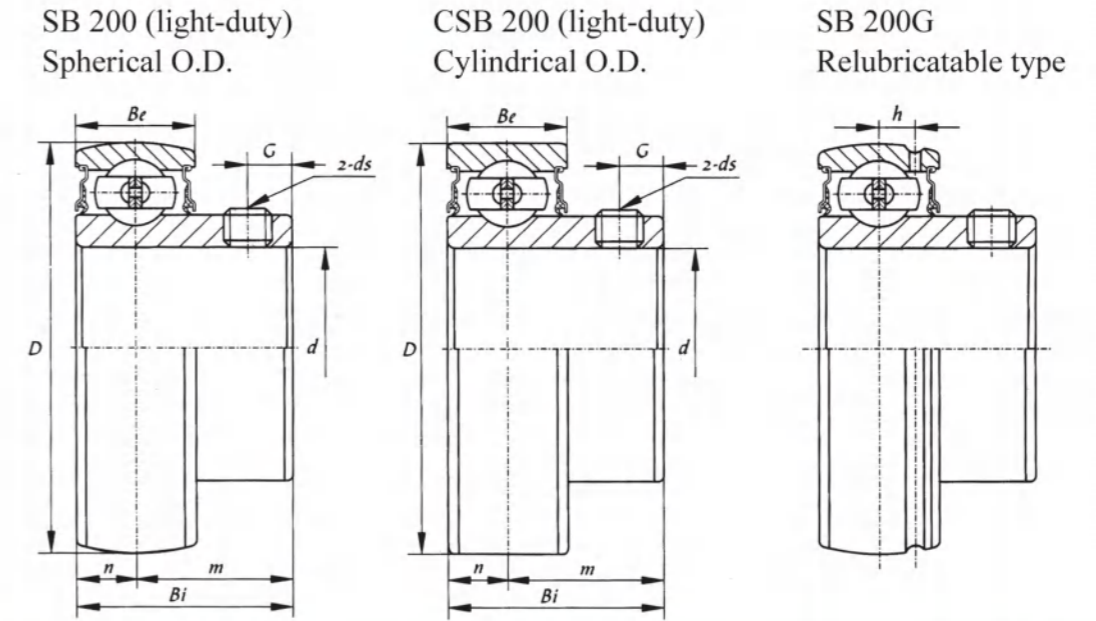


带偏心套球轴承
Ball Bearings
(with eccentric collar)



轴承代号	轴径		外形尺寸 (mm)								基本额定载荷 (N)		重量 (kg)	
	d		D	C	h	S	B ₁	B	B ₂	B ₃	d ₁	动载荷 Cr		静载荷 Cor
	(in.)	(mm)												
GRA201 RA201-8	1/2	12	40	12	3.6	6.5	28.6	19.1	13.5	28.6	9550	4780	0.14	
202	5/8	15											0.14	
202-10		17											0.13	
203 203-11	11/16	17											0.13	
GRA204-12 RA204	3/4	20	47	14	4	7.5	30.9	21.4	13.5	33.3	12800	6560	0.18 0.15	
GRA205-14 205-15 205 205-16	7/8 15/16 1	25	52	15	4.3	7.5	30.9	21.4	13.5	38.1	14000	7880	0.22 0.21 0.19 0.18	
GRA206-18 RA206 206-19 206-20	1-1/8 1-3/16 1-1/4	30	62	18	5	9	35.7	23.8	15.9	44.5	19500	11200	0.35 0.33 0.31 0.29	
GRA207-20 RA207-21 207-22 207 207-23	1-1/4 1-5/16 1-3/8 1-7/16	35	72	19	5.7	9.5	38.9	25.4	17.5	55.6	25700	15200	0.56 0.53 0.51 0.50 0.48	
GRA208-24 RA208-25 208	1-1/2 1-9/16	40	80	21	6.2	11	43.7	30.2	18.3	60.3	29600	18200	0.68 0.67 0.65	
GRA209-26 RA209-27 209-28 209	1-5/8 1-11/16 1-3/4	45	85	22	6.8	11	43.7	30.2	18.3	63.5	31850	20800	0.82 0.76 0.73 0.69	
GRA210-30 RA210-31 210	1-7/8 1-15/16	50	90	22	6.5	11	43.7	30.2	18.3	69.9	35100	23200	0.85 0.83 0.79	
GRA211-32 RA211-34 211 211-35	2 2-1/8 2-3/16	55	100	24	7.2	12	32.5	32.5	20.7	76.2	43550	29200	1.18 0.96 0.87 0.81	
GRA212-36 RA212 212-38 212-39	2-1/4 2-7/8 2-7/16	60	110	24	8	13.5	37.5	37.5	22.3	84.2	47800	32800	1.35	

带顶丝球轴承
Ball Bearings
(with setscrews)



轴承代号 Bearing No.	轴径 Shaft Dia.		外形尺寸 (毫米) Dimensions (mm)							额定动负荷 Basic Dynamic Load Rating (N)	额定静负荷 Basic Static Load Rating (N)	重量 Weight (kg)	
	d		Be	D	Bi	n	m	G	h				ds
	(in.)	(mm)											
SB201 201-18	1/2	12	12	40	22	6.0	16.0	4.5	3.6	M5X0.8	9600	4600	0.10
SB202 202-10	5/8	15	12	40	22	6.0	16.0	4.5	3.6	M5X0.8	9600	4600	0.09
SB203 203-11	11/16	17	12	40	22	6.0	16.0	4.5	3.6	M5X0.8	9600	4600	0.08
SB204-12 204	3/4	20	14	47	25	7.0	18.0	4.5	3.9	M6X1.0	12800	6650	0.12
SB205-14 205 205-16	7/8 1	25	15	52	27	7.5	19.5	5.5	3.9	M6X1.0	14000	7880	0.16
SB206-18 206 206-19 206-20	1 1/8 1 3/16 1 1/4	30	16	62	30	8.0	22.0	6.0	5.0	M6X1.0	19500	11200	0.25
SB207-20 207-22 207 207-23	1 1/4 1 3/8 1 7/16	35	17	72	32	8.5	23.5	6.5	5.5	M8X1.0	25700	15200	0.36
SB208-24 208	1 1/2	40	18	80	34	9.0	25.0	7.0	6.0	M8X1.0	29600	18200	0.45
SB209-26 209-27 209 209-28	1 5/8 1 11/16 1 3/4	45	19	85	41.2	10.2	31.0	8.2	6.3	M8X1.0	31850	20800	0.56
SB210-30 210-31 210 210-32	1 7/8 1 13/16 2	50	20	90	43.5	10.9	32.6	9.2	6.5	M8X1.0	35100	23200	0.62
SB211-32 211-34 211 211-35	2 2 1/8 2 3/16	55	21	100	45.3	11.8	33.5	9.8	7.2	M8X1.0	43550	29200	1.1
SB212 212-36	2 1/4	60	22	110	53.7	14.9	38.8	9.8	8	M10X1.0	47800	32800	1.3